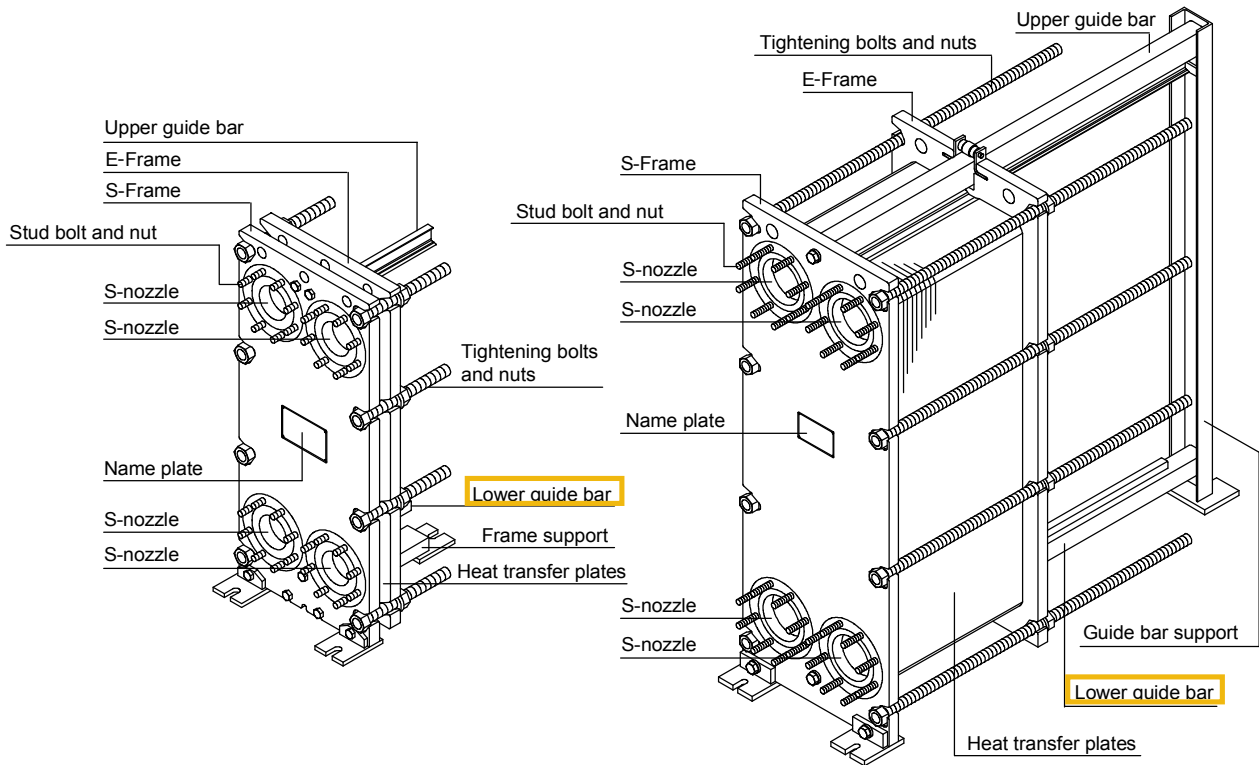


## 2 Names of Components

PHE consists of the following parts.

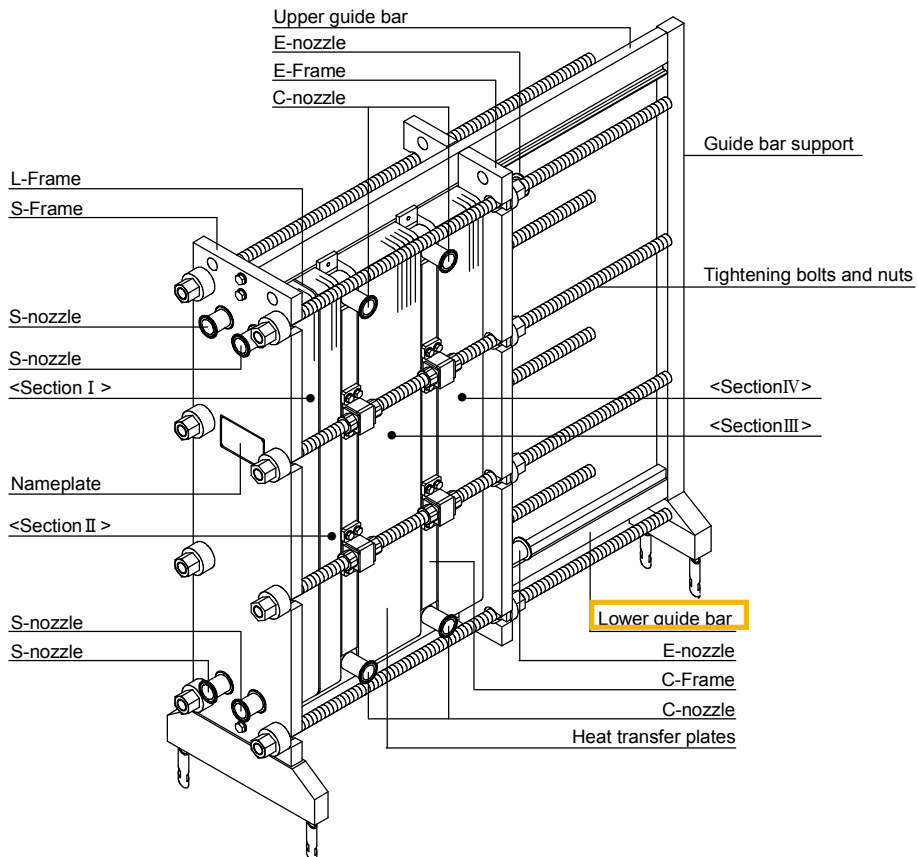
**[NOTE]**

- Refer to the "Plate Arrangement Drawing" for equipment specifications.



**Fig. 2-1 J Type Heat Exchanger**

**Fig. 2-2 P Type Heat Exchanger**



**Fig. 2-3 BP2CL Type Heat Exchanger**