

2 Names of Components

PHE consists of the following parts.

[NOTE]

- Refer to the "Plate Arrangement Drawing" for equipment specifications.

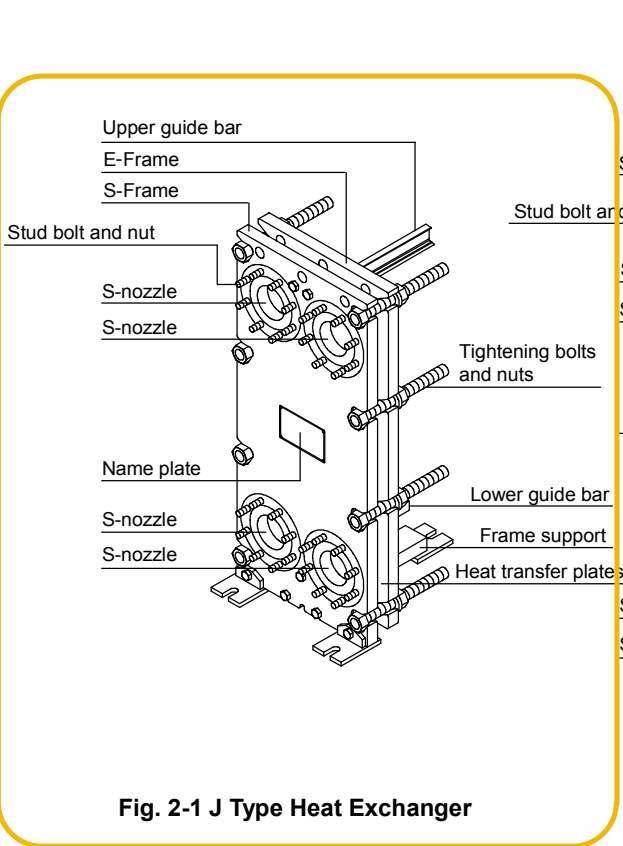


Fig. 2-1 J Type Heat Exchanger

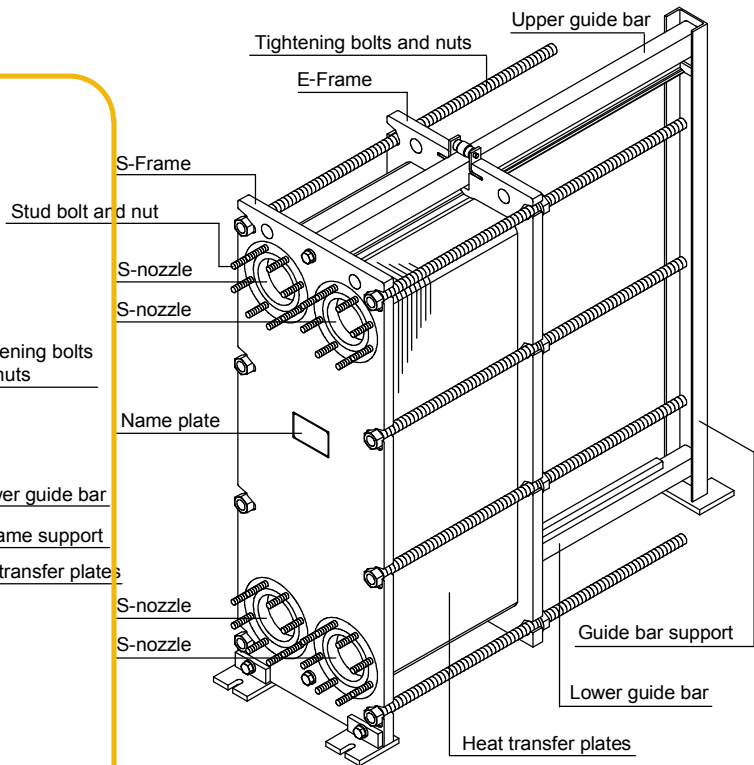


Fig. 2-2 P Type Heat Exchanger

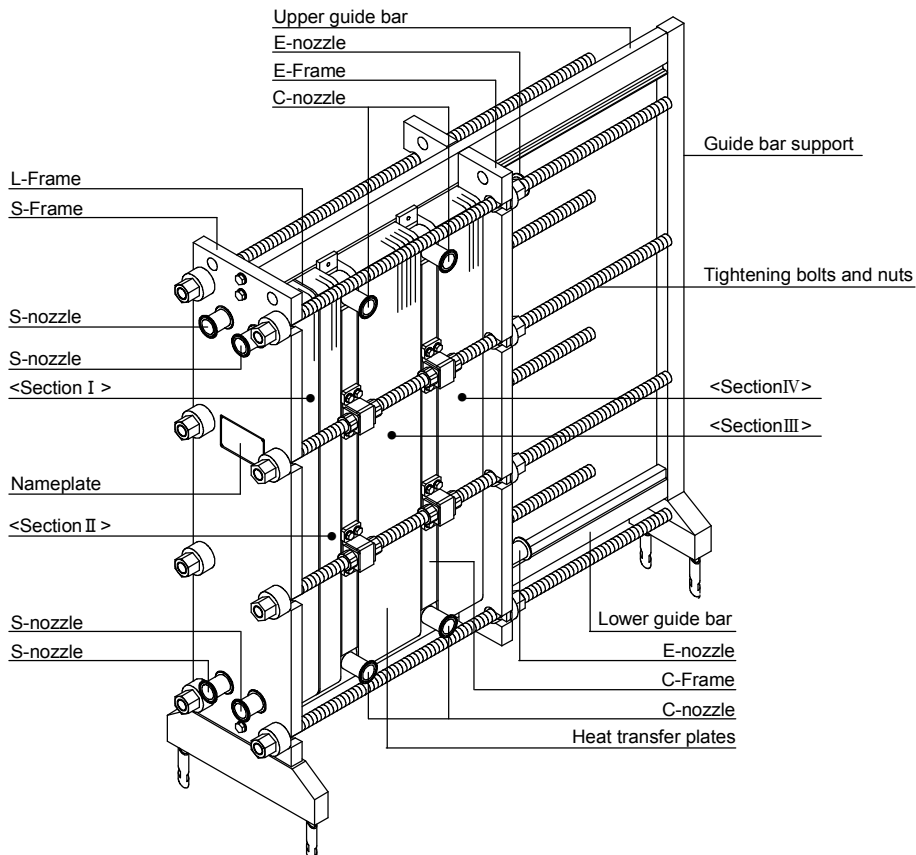


Fig. 2-3 BP2CL Type Heat Exchanger