

3 Accessories

Accessories of HISAKA Plate Heat Exchangers are optional parts.

Please inquire with our company's sales representative if you require a ratchet spanner, anchor bolt, thermometer, pressure gauge....etc.

4 Transport and Packing Style

Packing style of HISAKA Plate Heat Exchanger are as follows.

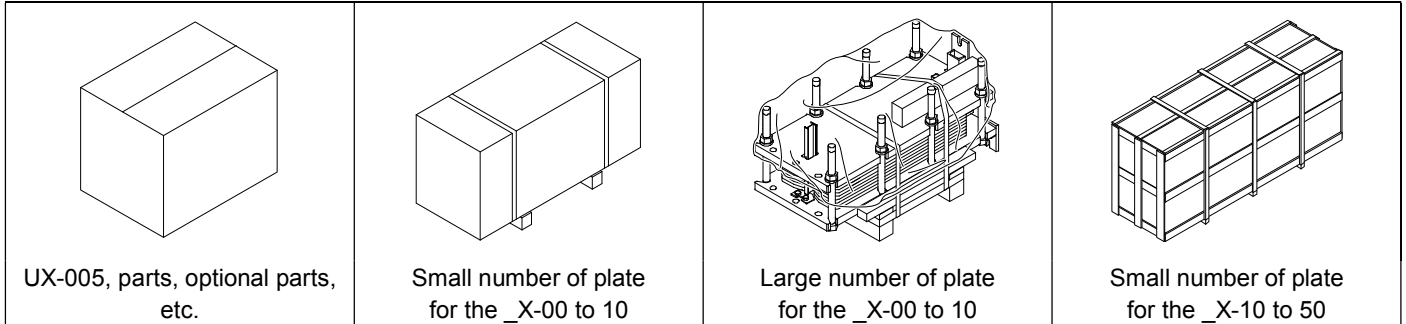


Fig. 4-1
Cardboard packing

Fig. 4-2
Cardboard packing with skid

Fig. 4-3
Plastic covered packaging with skid

Fig. 4-4
Crate packing with skid

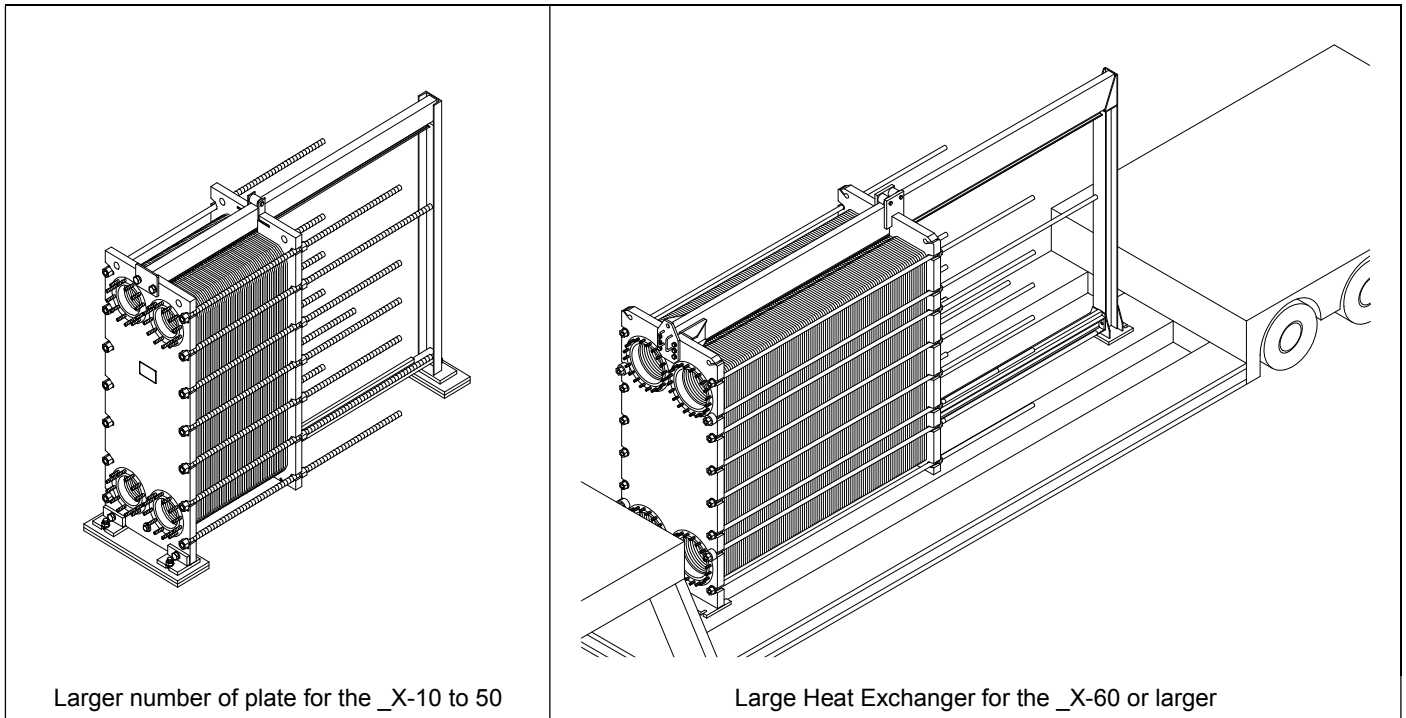


Fig. 4-5 Without Cover, With Skid

Fig. 4-6 Without Cover/Skid (* With canvas cover during transportation.)

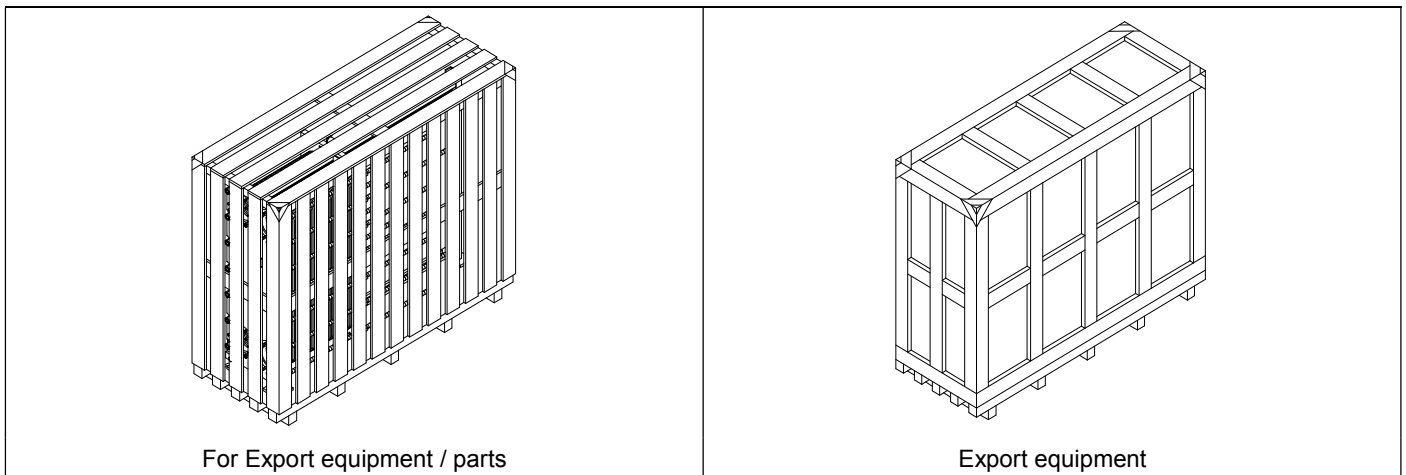


Fig. 4-7 Crate

Fig. 4-8 Case