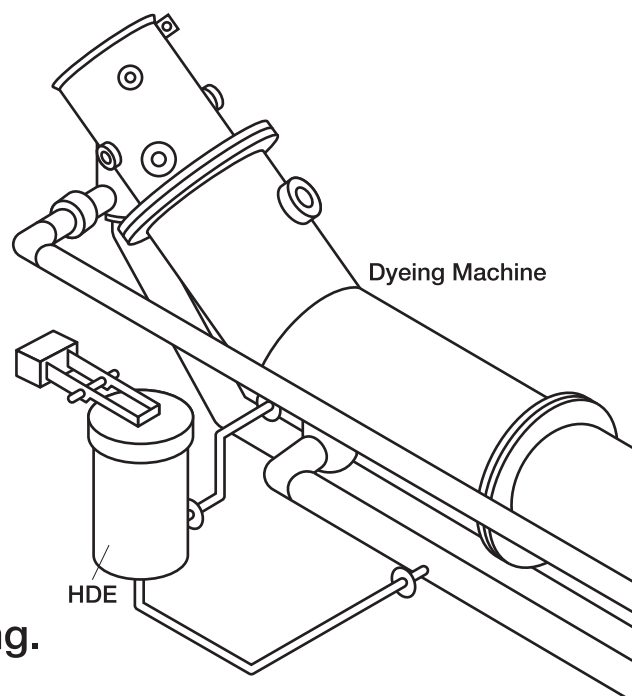


HISAKA "Dyestuff Dissolving Device" HDE

It contributes to productivity improvement!

- Dye stuff feeding amount is approx. 15kg and more.
- Automatically dissolve powder dye stuff and powder Glauber's salt, then spread into dyeing tank.
- It is possible to be installed to existing dyeing machines because of independence device.
- It is possible for Automatic feeding.
- It is possible for High Temperature feeding.



HDE System Merit

- It prevents dissolving matters from personal mistakes.
- It prevents personal accidents and environment pollution from scattered dust.
- It reduces heavy work on dissolving work.

HDE Series

Model	Amount of dyestuff
HDE-15	12kg
HDE-30	24kg
HDE-50	40kg



HDE-15